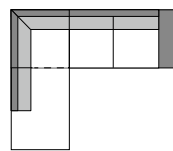
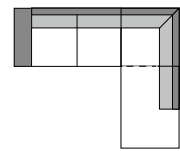








# BELLA A2,5 / 2,5A





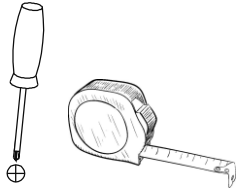
**A2,5**




**2,5A**

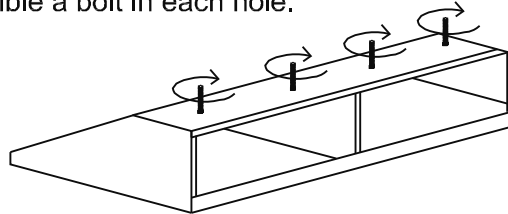
A		8
B		8
C		8
D		1
E		8
F	 Plastic washers for legs Ø 50 / 10 mm	8


G		7
H	 3,5x40	27





1		
A		4

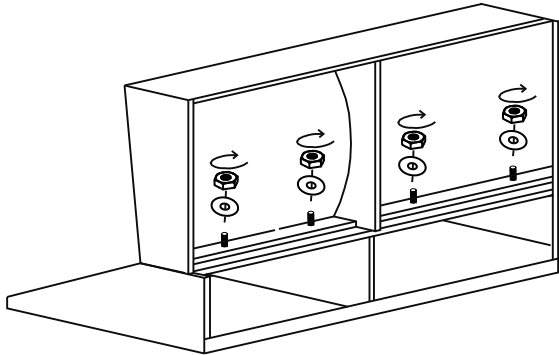
Place the back on a smooth surface and assemble a bolt in each hole.



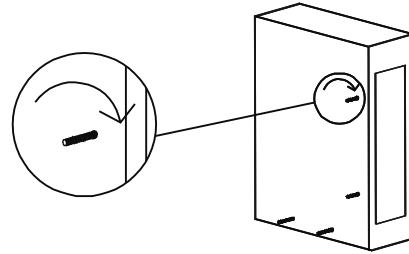
3		
A		4


2		
B		4
C		4



Place the seat in top of the back above the bolts, add washers and assemble nuts on each bolt, **but keep it loose**.



Assemble one bolt in each hole in the armrest.

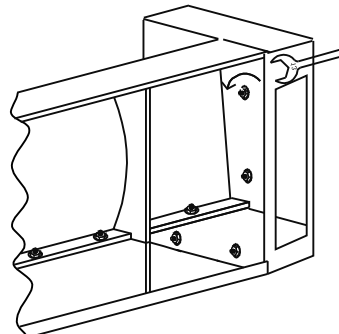
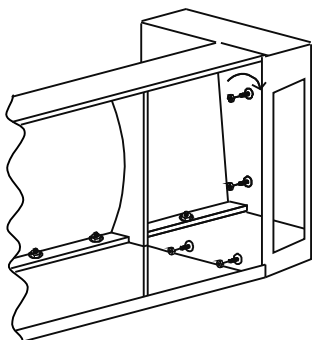


5		
D		1

4		
B		4
C		4

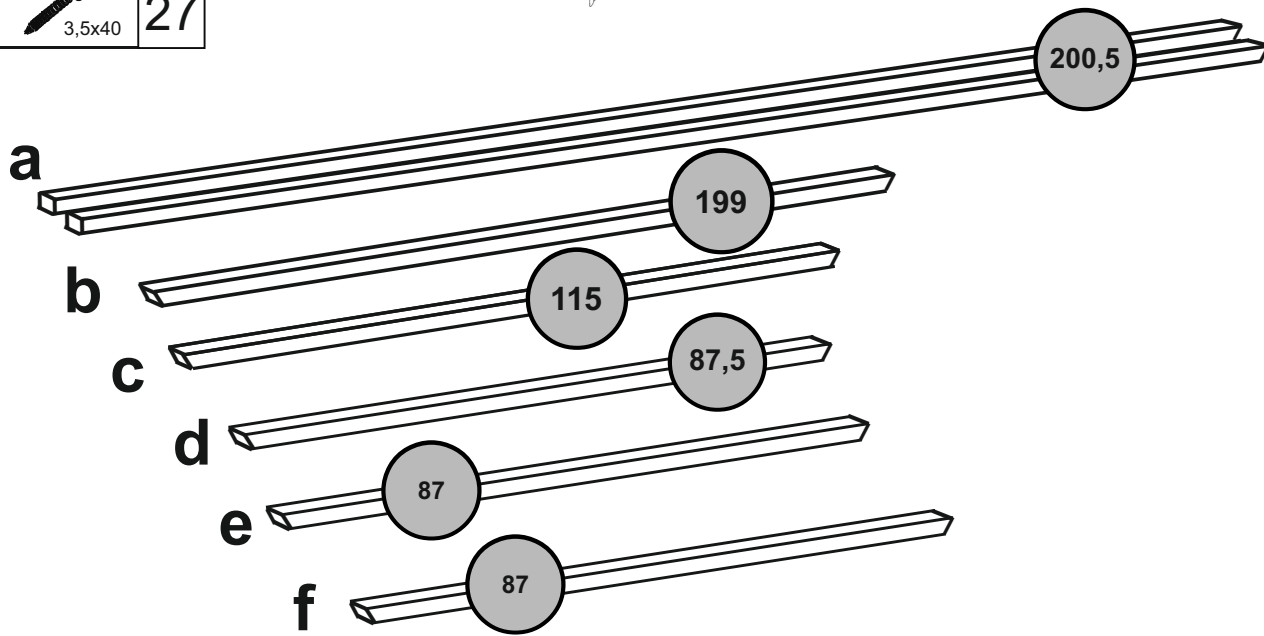
Check that all joints are smooth. Then screw all nuts tightly.

Put the armrest together with the backrest and the seat. Assemble washers and nuts, **but keep it loose**.



6

G		7
H	3,5x40	27



d

a



b

e

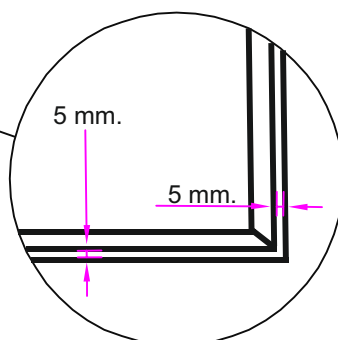


c



a



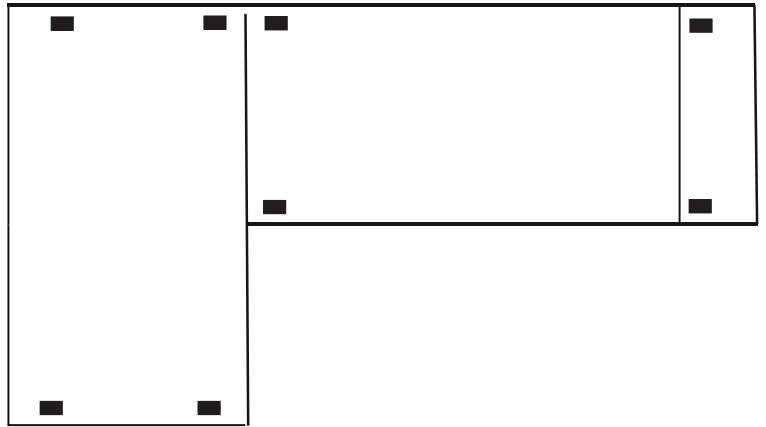
f



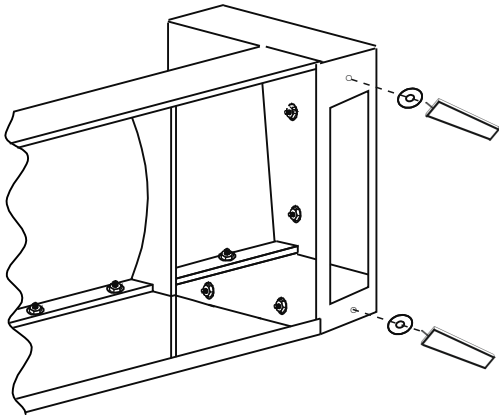
7

E		8
F	 Plastic washers for legs ∅50 / 10 mm	8

Note where the legs shall be placed.



Assemble the legs.



EN

- Do not throw away the packing materials until assembly is complete;
- To avoid scratch or other damages: assemble this item on a soft surface, such as cardboard or carpet, to protect finish;
- Hardware may loosen overtime. Periodically check that all connections are tight ;
- Protect sofa from an environmental factors such as : heat, direct sunlight (especially leather surface) and humidity;
- Do not use sofa outdoors.



- Dry cleaning
- 40° degree machine wash
- Ironing, low temperature (one dot)